

CLAMPS

FASTMILL
ZERO

MINI RANGE

VERTICAL
CLAMPING

MAGNETIC

THIRD POINT

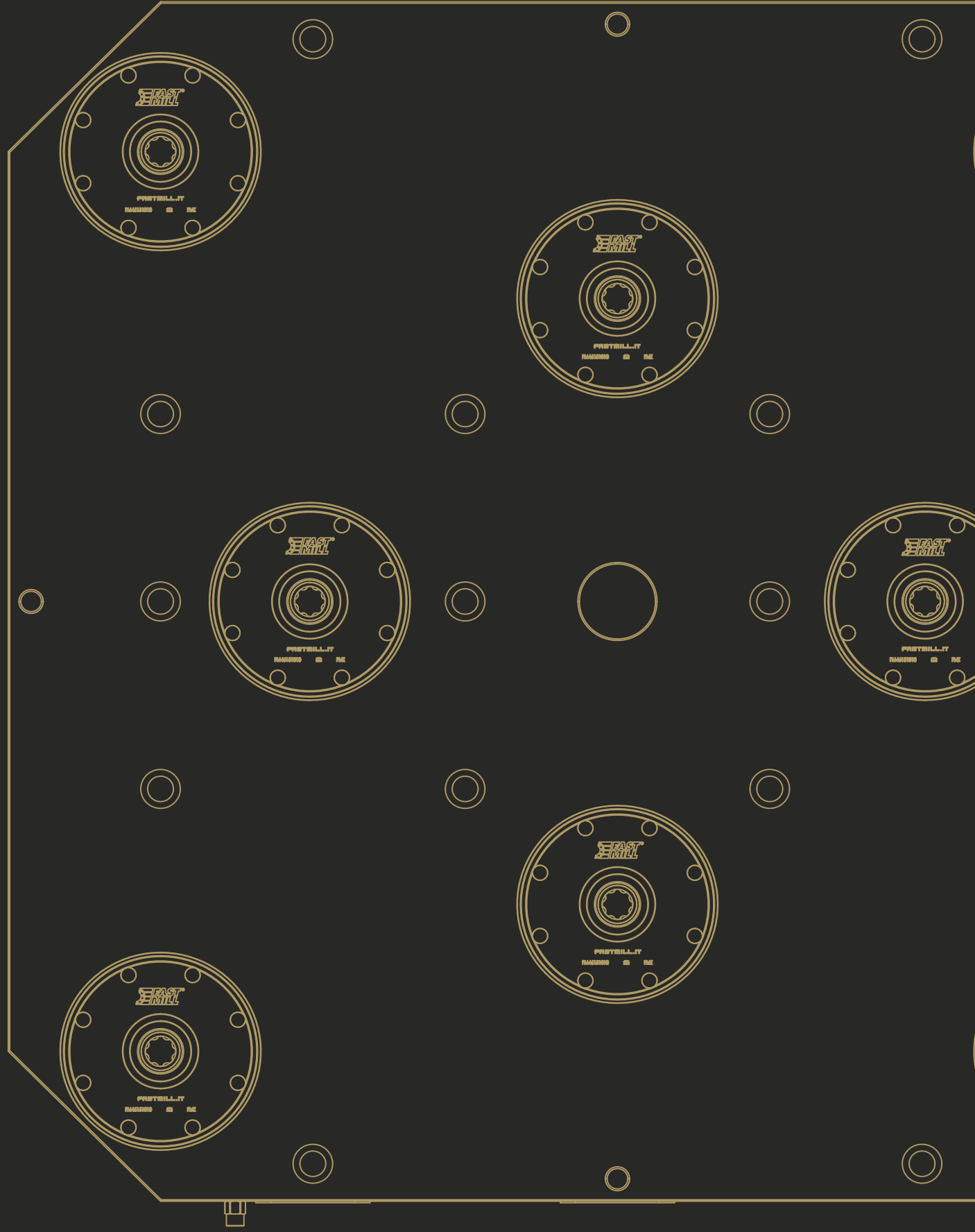
RISERS

SPACERS

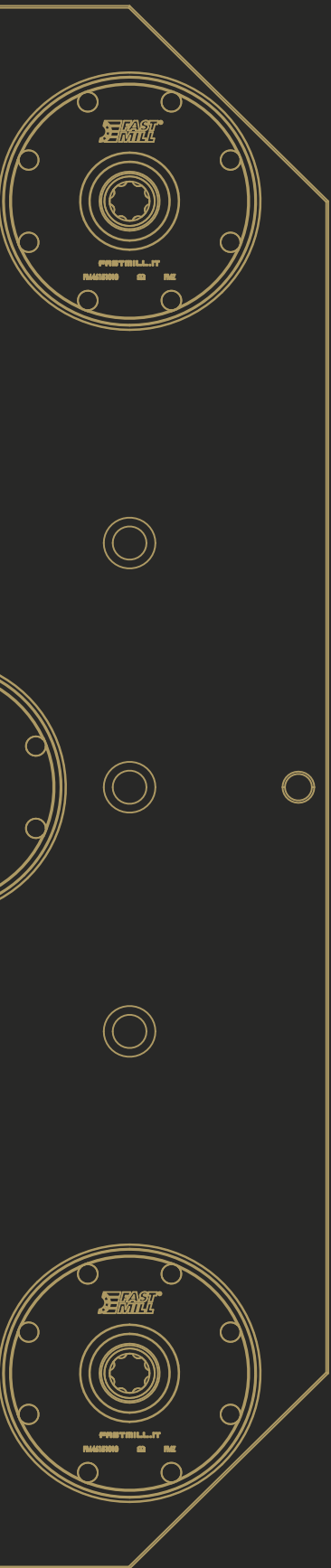
MODULES
AND PINS D49

MODULES
AND PINS D90

PLATES
AND BUSHES



FASTMILL ZERO





FASTMILL ZERO PNEUMATIC MODULE

FastMill Zero pneumatic modules are designed to maximize the idea of automation. They guarantee very high precision and repeatability, combined with a clamping force capable of avoiding vibrations during machining. Able to verify the complete tightening of each module, it meets the maximum safety requirements.

CODE	DESCRIPTION	Ø	HEIGHT	WEIGHT
FM46151010	FMZ pneumatic module	129 (5,07")	40 (1,57")	2 (4,40 lbs)

TECHNICAL INFORMATION	
Clamping force (by springs)	12500 N (2,800 lbs)
Repetitive accuracy	≤ 0,005 mm (0,00019")
Pneumatic pressure for opening	6 bar (87 psi)
Max. axial load	1000 kg (2,200 lbs)



CALIBRATION RING FOR VERTICAL ADJUSTMENT

Calibration ring allows the assembly of the FastMill Zero pneumatic module aligned to the work table. This configuration allows you to optimize the space on the work table while maintaining maximum flexibility.

CODE	DESCRIPTION	Ø	HEIGHT
FM46152010	Calibration ring for vertical adjustment	128 (5,03")	2 (0,07")

PIN M12 AND M16 FOR FMZ EXAMPLE

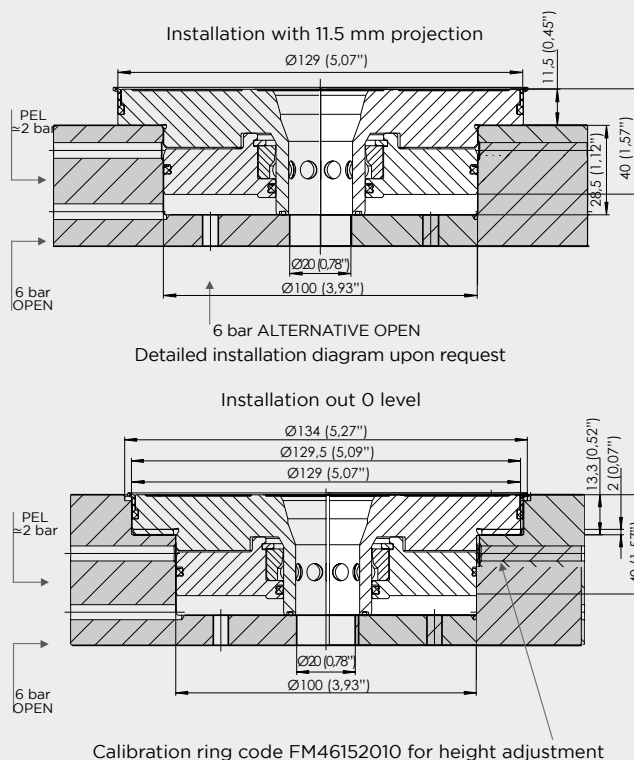




PLATE WITH PNEUMATIC FASTMILL ZERO

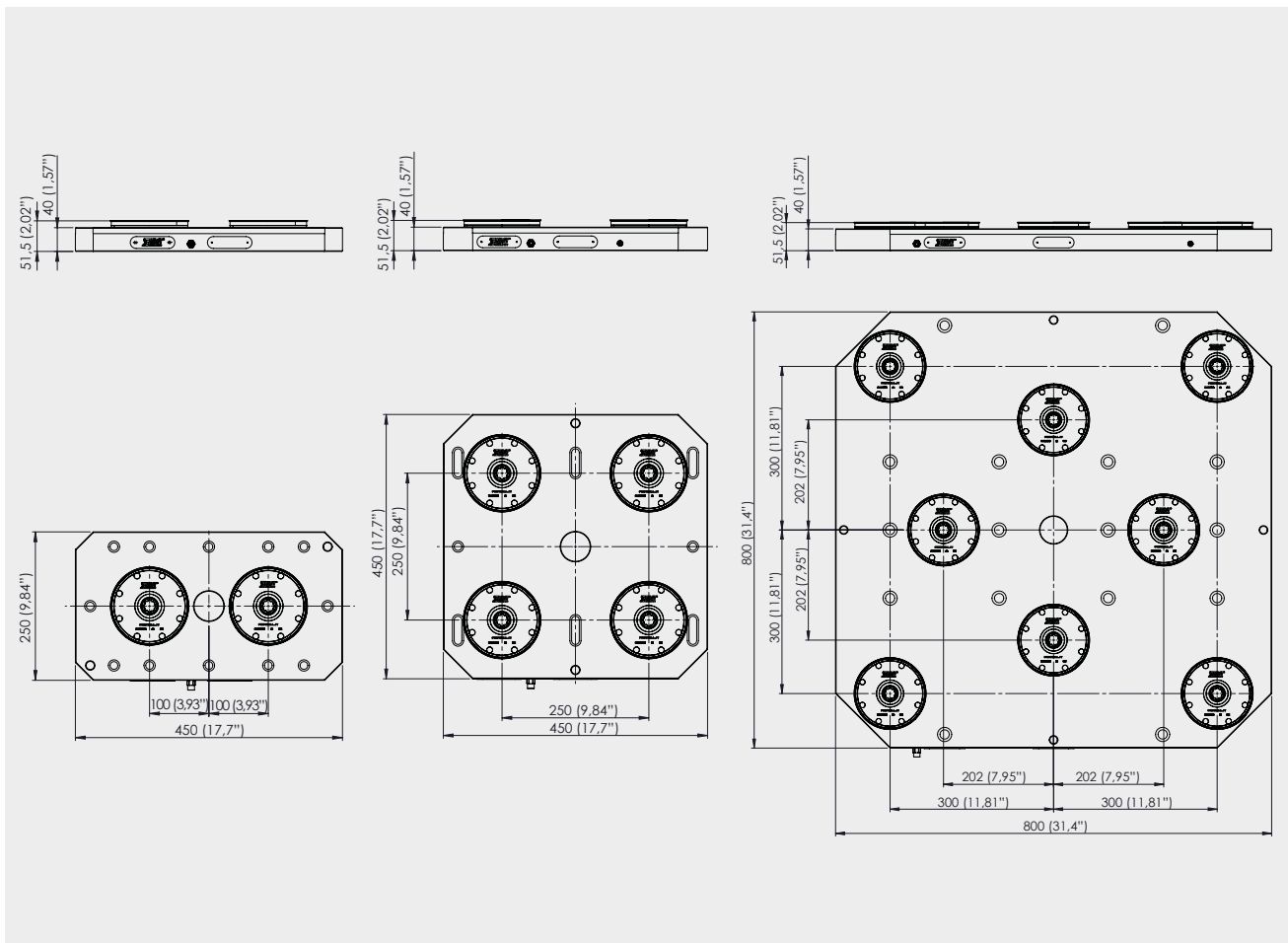
FastMill Zero plates offer the possibility to automate the quick change of the workpieces. Simple to install, they are designed to cover all work areas, reducing downtime and maximizing production.

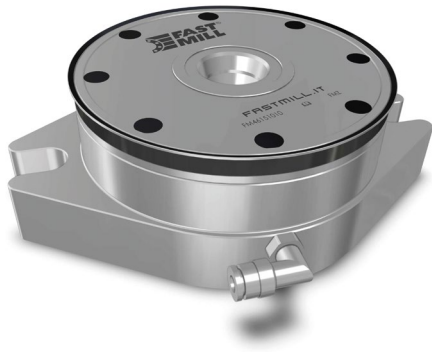


Covers for FastMill Zero are aluminum plugs, which protect the clamping seat when the modules are not used.

CODE	DESCRIPTION	# FMZ	DIMENSION	HEIGHT	WEIGHT
FM46155010	Plate with pneumatic FMZ	2	450X250 (17,71"X9,84")	40 (1,57")	33,9 (74,7 lbs)
FM46155020	Plate with pneumatic FMZ	4	450X450 (17,71"X17X71")	40 (1,57")	60,8 (134 lbs)
FM46155030	Plate with pneumatic FMZ	6	800X400 (31,4"X15,74")	40 (1,57")	92,8 (204,5 lbs)
FM46155040	Plate with pneumatic FMZ	8	800X800 (31,4"X31,4")	40 (1,57")	194,0 (427,6 lbs)
-	Custom Plate	-	-	40 (1,57")	-

CODE	DESCRIPTION	Ø	HEIGHT
FM46154020	Cover for FMZ	30 (1,18")	32 (1,25")

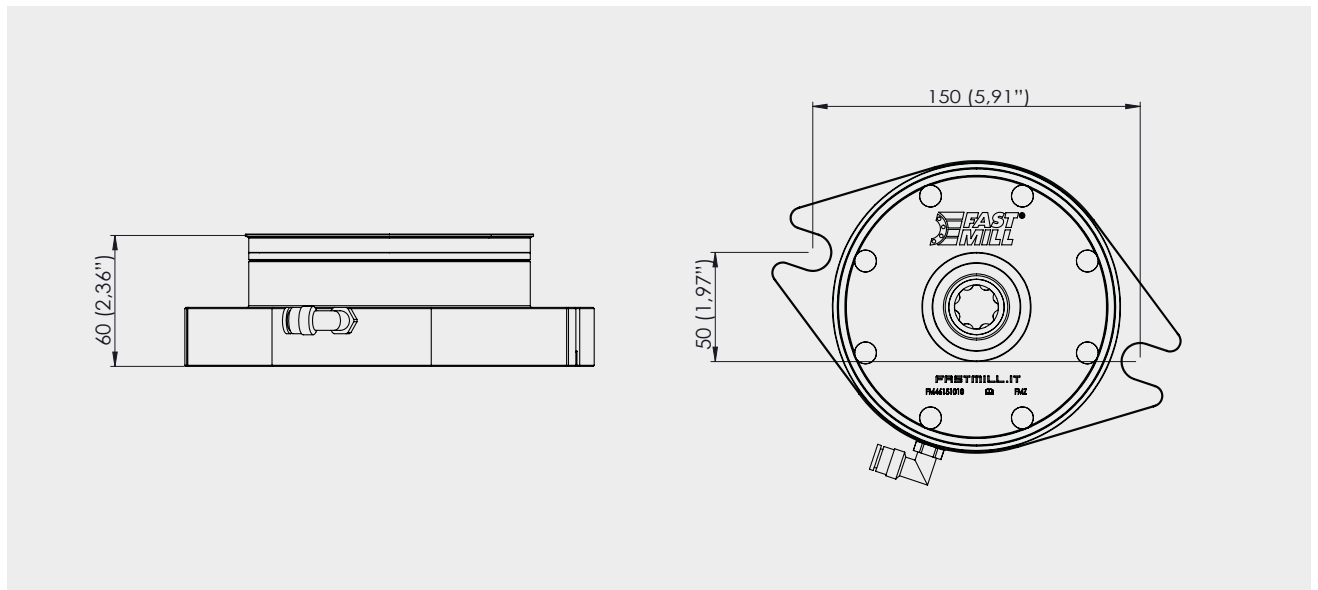




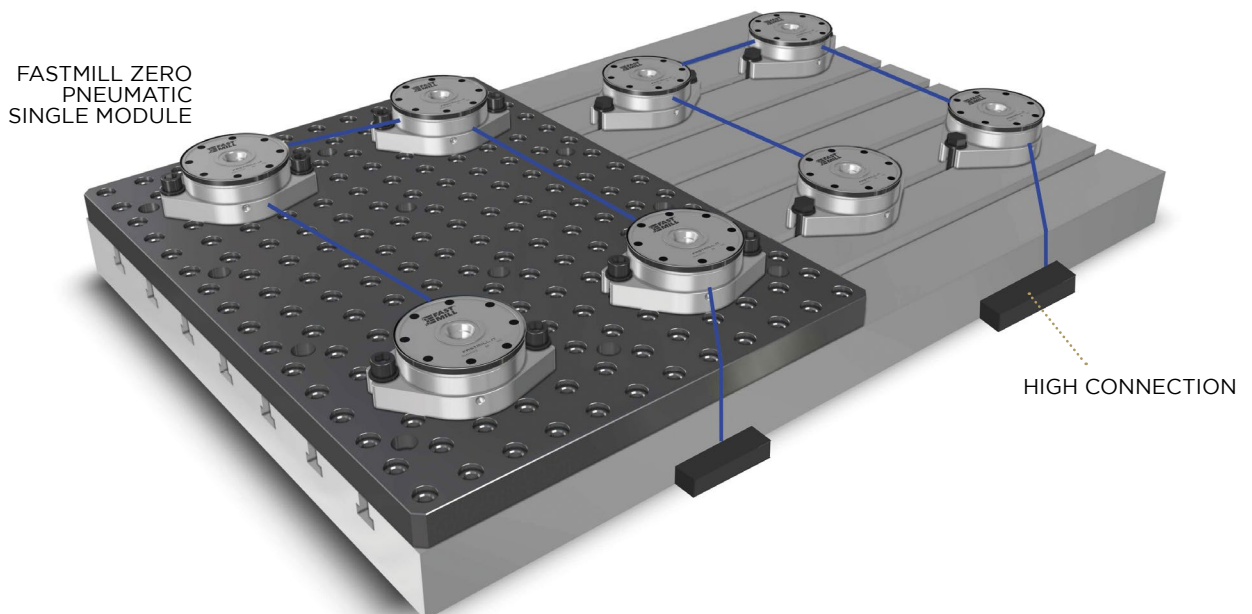
FASTMILL ZERO PNEUMATIC SINGLE MODULE FOR ASSEMBLY ON PLATE

The FastMill Zero single module offers the possibility of clamping workpieces using a pneumatic system, this module allows for different placements on the table. Ideal for fixing pieces with highly variable geometries or for positioning in hard-to-reach areas

CODE	DESCRIPTION	Ø	HEIGHT	WEIGHT
FM46156010	FMZ pneumatic single module	129 (5,07")	60 (2,36")	7,3 (16 lbs)



FASTMILL ZERO PNEUMATIC SINGLE MODULE FOR ASSEMBLY ON PLATE EXAMPLE



PLATES AND BUSHES
MODULES AND PINS D90
MODULES AND PINS D49
SPACERS
RISERS
THIRD POINT
MAGNETIC
VERTICAL CLAMPING
MINI RANGE
FASTMILL ZERO
CLAMPS



PIN M12 AND M16 FOR FASTMILL ZERO

The screwing of the centering, compensating and clamping pin of the FMZ series can be done both, from above (with M12 screw) or from below (with M12 stud screw).

Centering pin (FM46153010 - FM46153070)

Clamping and centering pin (X-, Y-positioning), required for set-up. Includes one M12x30 DIN912 screw (strength class 10.9) and one M12x25 DIN939 stud screw (strength class 10.9).

Compensating pin (two-parts) (FM46153020)

Clamping and locating pin used for radial alignment when two or more clampers are used for the same fixture. Required for multiple clamping fixture. Includes one M12x30 DIN912 screw (strength class 10.9) and one M12x25 DIN939 stud screw (strength class 10.9).

Clamping pin (FM46153030)

Clamping pin without alignment. Used for clamping when three or more clampers are used for the same fixture. Required with three or more clampers. Includes one M12x30 screw (strength class 10.9) and one M12x25 (DIN938) stud screw (strength class 10.9)

Integral Pin M16 type C (FM46153060)

Clamping and locating pin used for clamping when three or more clampers are used for one fixture.

M12 PIN FOR FMZ

CODE	DESCRIPTION	M	Ø	TYPE
FM46153010	Pin M12 for FMZ	M12	18 (0,70")	A
FM46153020	Pin M12 for FMZ	M12	18 (0,70")	B
FM46153030	Pin M12 for FMZ	M12	-	C
FM46153070	Pin M12 for FMZ	M12	20 (0,78")	A

M16 PIN FOR FMZ

CODE	DESCRIPTION	M	Ø	TIPO
FM46153080	Pin M16 for FMZ	M16	20	A
FM46153060	Pin M16 for FMZ	M16	-	C

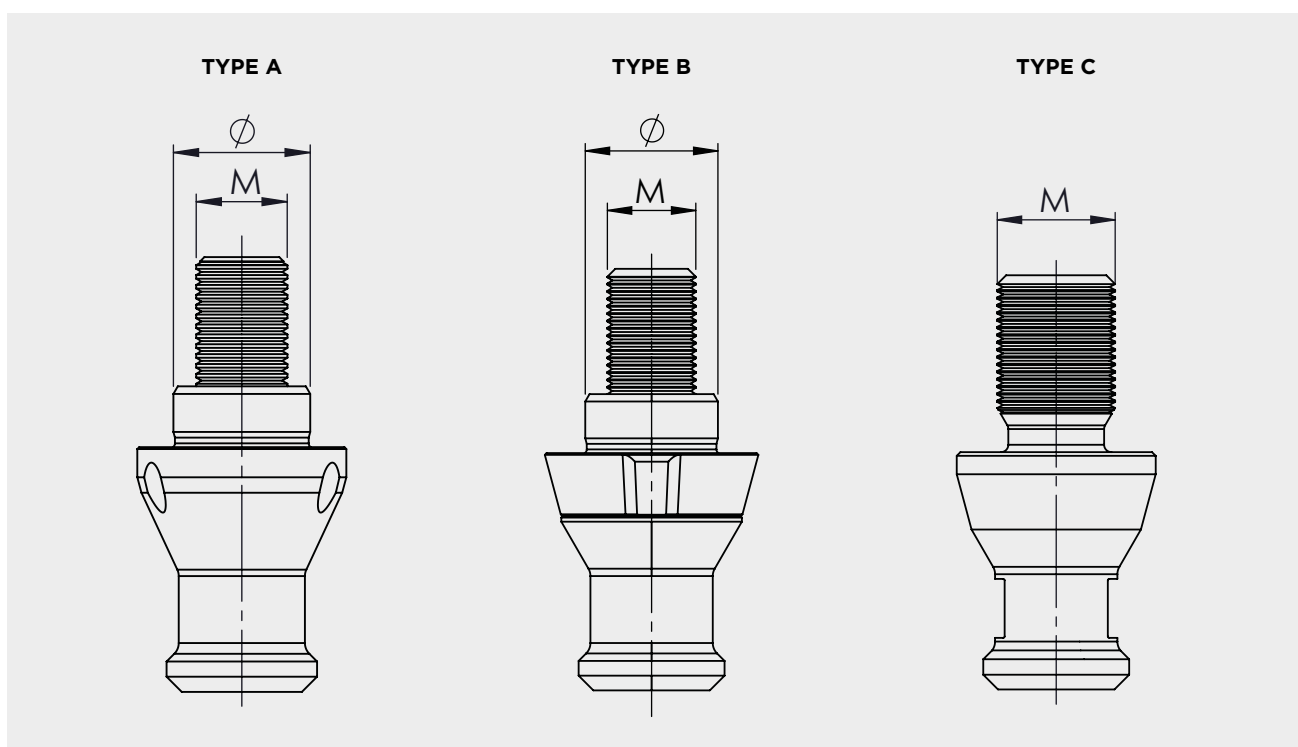
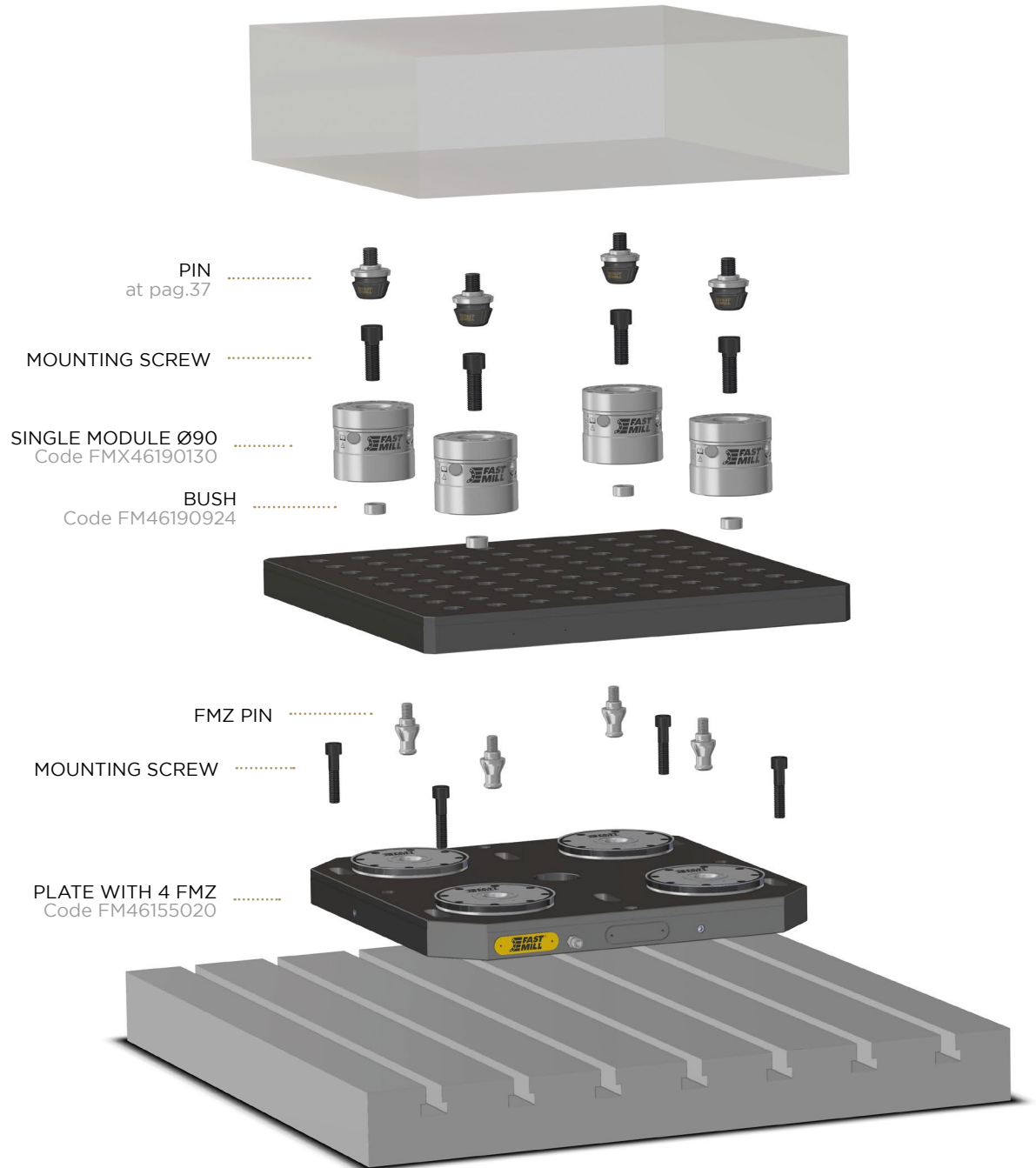


PLATE WITH 4 FMZ MODULES ASSEMBLY EXAMPLE



PLATES AND BUSHES
MODULES AND PINS D90
MODULES AND PINS D49
SPACERS
RISERS
THIRD POINT
MAGNETIC
VERTICAL CLAMPING
MINI RANGE
FASTMILL ZERO
CLAMPS



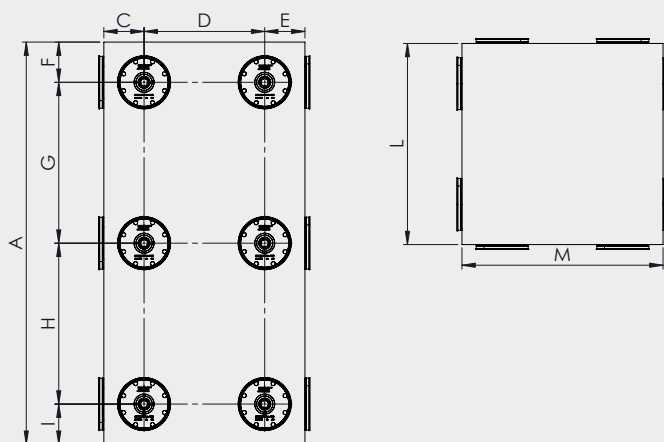
FASTMILL ZERO PNEUMATIC CUBE

FastMill Zero pneumatic cubes are made to customer specifications and can have one to four faces with inserted pneumatic modules. The base can be fixed on T-slots or by modules.

ON DEMAND

Alternative dimensions or custom solutions on demand

FMZ PNEUMATIC CUBE



SETUP EXAMPLE

