

V-Max Drill VMD



▶ Adjustment Type

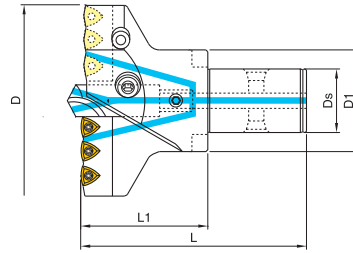
VMD - 125130

↓
드릴종류
Drill group

↓
가공직경: $\phi 125 \sim \phi 130$ (조절타입)
Drilling diameter: $\phi 125 \sim \phi 130$ (Adjustable)

V-MAX DRILL

VMD



● MX Modular Shank Type

Code No.	치수 Dimension(mm)					센터드릴 Pilot Drill	카트리지 Cartridge	인서트 Insert	부품 Component	
	D	Ds	D1	L1	L				Screw	Wrench
VMD-045050	45-50	13	28	50	85	PLD-V1035 TIN-H	VMC-045050N/T VMC-050055N/T	WCMX030204	TSB-22045	TXL-6
VMD-055060	55-60	16	32	60	100					
VMD-060065	60-65	16	32	60	100	PLD-V1238 TIN-H	VMC-060065N/T VMC-065070N/T	WCMX050308	TSB-30070	TXL-8
VMD-070075	70-75	22	40	70	115					
VMD-075080	75-80	22	40	70	115	PLD-V1645 TIN-H	VMC-075080N/T VMC-080085N/T VMC-085090N/T VMC-090095N/T	WCMX06T308	TSB-35090	TXL-15
VMD-080085	80-85	22	40	70	115					
VMD-085090	85-90	27	48	70	120					
VMD-090095	90-95	27	48	70	120					
VMD-095100	95-100	27	48	70	120	PLD-2045 TIN-H	VMC-100105N/T VMC-105110N/T	WCMX050308	TSB-30070	TXL-8
VMD-100105	100-105	32	58	80	130					
VMD-105110	105-110	32	58	80	130	PLD-2556 TIN-H	VMC-110115N/T VMC-115120N/T VMC-120125N/T VMC-125130N/T	WCMX06T308	TSB-35090	TXL-15
VMD-110115	110-115	32	58	80	130					
VMD-115120	115-120	40	70	90	145					
VMD-120125	120-125	40	70	90	145					
VMD-125130	125-130	40	70	90	145	PLD-3068 TIN-H	VMC-130135N/T VMC-135140N/T	WCMX080408	TSB-40110	TXL-15
VMD-130135	130-135	40	70	90	145					
VMD-135140	135-140	40	70	90	145	PLD-3068 TIN-H	VMC-140150N/T VMC-150160N/T	WCMX080408	TSB-40110	TXL-15
VMD-140150	140-150	50	80	100	160					
VMD-150160	150-160	50	80	100	160	PLD-3068 TIN-H	VMC-160170N/T VMC-170180N/T	WCMX080408	TSB-40110	TXL-15
VMD-160170	160-170	50	80	100	160					
VMD-170180	170-180	50	80	100	160					

- ※ 바디표면을 특수표면처리하여 내마모성 및 수명이 길어졌습니다.
- ※ MX Modular System으로 원하는 가공깊이 조절가능.
- ※ V-MAX 드릴 헤드는 최대직경으로 공급됩니다.
- ※ WCMX 인서트는 **100페이지**를 참조해주세요.

- ※ The drill body treated by forging was much solid and much stronger in impact.
- ※ The connecting strength by the MX modular system is excellent and the drilling depth is freely adjustable by connecting MXB, MXR and MXA.
- ※ Drill head is supplied with Max. diameter
- ※ Please refer to the **page100** regarding WCMX insert.

- VMD 드릴 가공 동영상 보시려면, 오른쪽 QR코드를 스캔하세요.
- Please scan the QR code if you want to see VMD drill testing sample video.





CARTRIDGE

Drilling Range	Inner	Outer	인서트 Insert	No.of Insert	부품 Component	
					Screw	Wrench
45-50	VMC-045050N	VMC-045050T	WCMX030204	2	TSB-22045	TXL-6
50-55	VMC-050055N	VMC-050055T	WCMX040204	2	TSB-25055	TXL-8
55-60	VMC-055060N	VMC-055060T	WCMX050308	2	TSB-30070	
60-65	VMC-060065N	VMC-060065T	WCMX06T308	2	TSB-35090	TXL-15
65-70	VMC-065070N	VMC-065070T				
70-75	VMC-070075N	VMC-070075T	WCMX050308	3	TSB-30070	TXL-8
75-80	VMC-075080N	VMC-075080T				
80-85	VMC-080085N	VMC-080085T	WCMX06T308	3	TSB-35090	TXL-15
85-90	VMC-085090N	VMC-085090T				
90-95	VMC-090095N	VMC-090095T	WCMX080408	3	TSB-40110	TXL-15
95-100	VMC-095100N	VMC-095100T				
100-105	VMC-100105N	VMC-100105T	WCMX06T308	3	TSB-35090	TXL-15
105-110	VMC-105110N	VMC-105110T				
110-115	VMC-110115N	VMC-110115T	WCMX080408	3	TSB-40110	TXL-15
115-120	VMC-115120N	VMC-115120T				
120-125	VMC-120125N	VMC-120125T	WCMX080408	3	TSB-40110	TXL-15
125-130	VMC-125130N	VMC-125130T				
130-135	VMC-130135N	VMC-130135T	WCMX080408	3	TSB-40110	TXL-15
135-140	VMC-135140N	VMC-135140T				
140-150	VMC-140150N	VMC-140150T	WCMX080408	3	TSB-40110	TXL-15
150-160	VMC-150160N	VMC-150160T				
160-170	VMC-160170N	VMC-160170T	WCMX080408	3	TSB-40110	TXL-15
170-180	VMC-170180N	VMC-170180T				

※ VMD 카트리지는 바디의 수명을 연장시키고 바깥쪽 카트리지를 밀링 작업으로 직경을(5mm)조절할 수 있습니다.

※ VMD Cartridge prolongs the VMD body life, can control the dia(up to 5mm) by milling the outer cartridge.

PILOT DRILL



Code No.	치수 Dimension(mm)	
	D	L
PLD-V1035TIN-H	10	35
PLD-V1238TIN-H	12	38
PLD-V1645TIN-H	16	45
PLD-2045TIN-H	20	56
PLD-2556TIN-H	25	68
PLD-3068TIN-H	30	68

※ ex : PLD-2556TIN-H(ø25, TiN coated, oil hole)

DRIVE RING

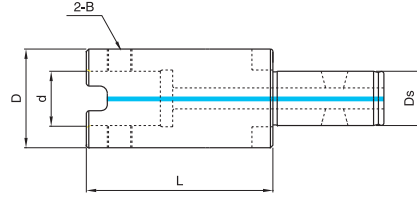


Code No.	치수 Dimension(mm)		
	D	d	S
DVR-281310	28	13	10
DVR-321610	32	16	12
DVR-402212	40	22	14
DVR-482712	48	27	16
DVR-583214	58	32	18
DVR-704014	70	40	20
DVR-805016	80	50	22

V-MAX DRILL

MXB / MXR

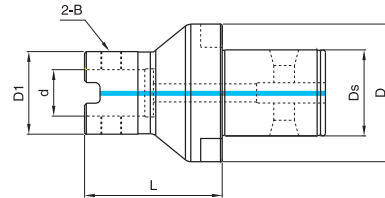
DRILLING



● MX Extension

▶ MXB

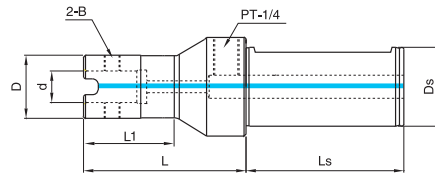
Code No.	치수 Dimension(mm)				B	Drive Ring
	D	d	L	Ds		
MXB-2813115	28	13	115	13	MTB-08115	DVR-281310
MXB-2813150			150			
MXB-2813200			200			
MXB-2813300			300			
MXB-3216115	32	16	115	16	MTB-08115	DVR-321610
MXB-3216200			200			
MXB-3216300			300			
MXB-4022113	40	22	113	22	MTB-10145	DVR-402212
MXB-4022200			200			
MXB-4022300			300			
MXB-4827113	48	27	113	27	MTB-12175	DVR-482712
MXB-4827200			200			
MXB-4827300			300			
MXB-5832186	58	32	186	32	MTB-12195	DVR-583214
MXB-5832300			300			
MXB-7040186			186			
MXB-7040300	70	40	300	40	MTB-16260	DVR-704014
MXB-7040500			500			
MXB-8050204			204			
MXB-8050300	80	50	300	50	MTB-16260	DVR-805016
MXB-8050500			500			



● MX Reducer

▶ MXR

Code No.	치수 Dimension(mm)					B	D1/Drive Ring	D/Drive Ring
	Ds	d	L	D	D1			
MXR-1613100	16	13	100	32	28	MTB-08115	DVR-281310	DVR-321610
MXR-2216100	22	16	100	40	32	MTB-08115	DVR-321610	DVR-402212
MXR-2722100	27	22	100	48	40	MTB-10145	DVR-402212	DVR-482712
MXR-3213100	32	13	100	58	28	MTB-08115	DVR-281310	DVR-583214
MXR-3216100	32	16	100	58	32	MTB-08115	DVR-321610	DVR-583214
MXR-3222100	32	22	100	58	40	MTB-10145	DVR-402212	DVR-583214
MXR-3227100	32	27	100	58	48	MTB-12175	DVR-482712	DVR-583214
MXR-4032100	40	32	100	70	58	MTB-12195	DVR-583214	DVR-704014
MXR-5013080	50	13	80	80	28	MTB-08115	DVR-281310	DVR-805016
MXR-5016080	50	16	80	80	32	MTB-08115	DVR-321610	DVR-805016
MXR-5022080	50	22	80	80	40	MTB-10145	DVR-402212	DVR-805016
MXR-5027080	50	27	80	80	48	MTB-12175	DVR-482712	DVR-805016
MXR-5032080	50	32	80	80	58	MTB-12195	DVR-583214	DVR-805016
MXR-5040150	50	40	150	80	70	MTB-16260	DVR-704014	DVR-805016

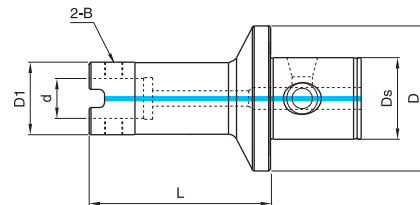


● MX + CYLINDRICAL Adaptor

▶ MXA

Code No.	치수 Dimension(mm)						B	Drive Ring
	Ds	d	L	L1	D	Ls		
MXA-3213115	32	13	115	77	28	70	MTB-08115	DVR-281310
MXA-3213200		13	200	165	28			
MXA-3213300		13	300	265	28			
MXA-4016125	40	16	125	86	32	80	MTB-10145	DVR-321610
MXA-4016200		16	200	161	32			
MXA-4016300		16	300	261	32			
MXA-4022148		22	148	109	40			
MXA-4022200		22	200	161	40			
MXA-4022300		22	300	261	40			
MXA-4027168		27	168	133	48			
MXA-4027300		27	300	265	48			
MXA-4032186		32	186	151	58			
MXA-4032300		32	300	265	58			
MXA-W5040186	50	40	186	151	70	MTB-16260	DVR-704014	
MXA-W5040300		40	300	265	70			
MXA-W5050184		50	184	149	80			
MXA-W5050300		50	300	265	80			

※ MX모듈러 시스템을 사이드락 타입으로 변환시켜주는 어댑터입니다.
 ※ It is a Adaptor that converts the MX modular system to Side lock Type.



● MX + EXT Adaptor

▶ MXE

Code No.	치수 Dimension(mm)					B	D1/Drive Ring
	Ds	d	L	D	D1		
MXE-3613100	36	13	100	63	28	MTB-08115	DVR-281310
MXE-3616100		16			32	MTB-08115	DVR-321610
MXE-3622100		22			40	MTB-10145	DVR-402212
MXE-3627100		27			48	MTB-12175	DVR-482712
MXE-3632100		32			58	MTB-12195	DVR-583214
MXE-4513100		45			13	80	28
MXE-4516100	16		32	MTB-08115	DVR-321610		
MXE-4522100	22		40	MTB-10145	DVR-402212		
MXE-4527100	27		48	MTB-12175	DVR-482712		
MXE-4532100	32		58	MTB-12195	DVR-583214		

※ MX모듈러 시스템을 EXT모듈러 시스템으로 변환시켜주는 어댑터입니다.
 ※ It is a Adaptor that converts the MX modular system to EXT modular system.



새로워진 V-MAX DRILL!
IMPROVED V-MAX DRILL!



- 드릴바디를 단조처리하여 더욱 단단하고 충격에 강하다!
The drill body treated by forging was much solider and much stronger in impact.

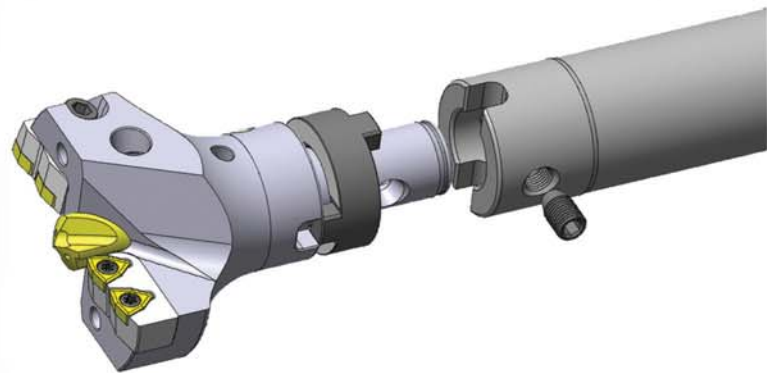
- 바디표면을 특수표면처리하여 내마모성 및 수명이 길어졌다!
The especially treated surface of body make the inner-abrasion much better and make the life much longer

- 더욱 안정된 설계로 제작되어 MXD보다 드릴링이 안정되어 경제성이 뛰어나다!
As this drill was designed more stably, this drill is steady of drilling and is good of economical efficiency.

- 가공직경 $\phi 45 \sim \phi 180$ 이며, 가공깊이는 MX modular system으로 자유롭게 조절할 수 있다!
Drilling diameters are from 45mm to 180mm and the drilling depth is freely adjustable by using the MX modular system

- 카트리지(VMC)타입으로 드릴바디의 수명을 연장시키고 가공직경을 조절할 수 있다!
As this drill is cartridge(VMC)type, the drilling diameters are adjustable.

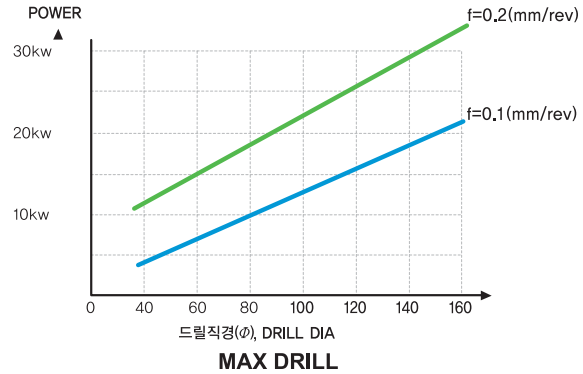
- 안정된 재고관리로 원하시는 제품을 신속히 사용할 수 있다!
We can supply to customers promptly by keeping stable stocks.



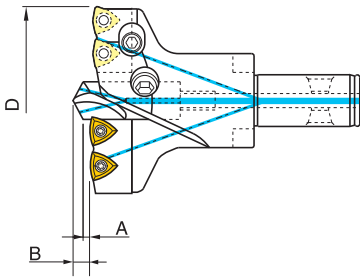
- MX 모듈러 시스템에 의한 체결방식으로 체결강성이 뛰어나며, MXB, MXR, MXA등으로 연결하여 가공깊이를 자유롭게 조절할 수 있습니다.

- The connecting strength by the MX modular system is excellent and the drilling depth is freely adjustable by connecting MXB, MXR and MXA.

POWER REQUIRMENTS



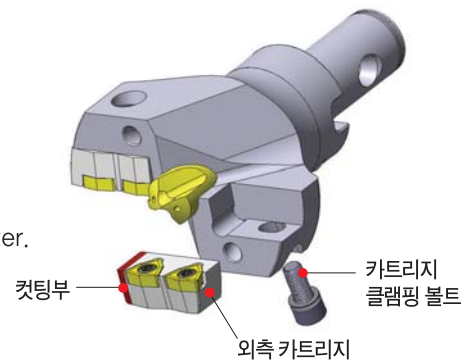
파일럿 드릴(PLD)셋팅 높이 Pilot drill(PLD) setting



드릴경D	2~4×D		4~6×D		6~8×D	
	A	B	A	B	A	B
45-55	1.6	4.0	1.8	4.2	2.0	4.4
55-75	1.8	5.4	2.0	5.6	2.2	5.8
75-100	2.2	6.5	2.5	6.8	2.8	7.1
100-120	2.4	7.7	2.8	8.1	3.2	8.5
120-170	3.2	9.9	3.6	10.3	4.0	10.7
170-180	3.5	12.2	3.9	12.6	4.3	13.0

VMD(MXD)가공직경 조절방법 THE DIAMETER ADJUSTING PROCEDURES OF VMD(MXD)

- 1) 외측카트리지를 카트리지 클램핑 볼트를 풀어 바디에서 이탈 시킵니다.
Loosen the clamping bolt of the outer cartridge and remove it from the drill body.
- 2) 외측카트리지의 측면 밀착부를 가공하려는 직경을 계산하여 밀링작업을합니다.
Cut off the inside part, the contacted side of the outer cartridge by milling after calculating the drilling diameter.
- 3) 커팅된 외측카트리지의 날카로운 모서리면을 모따기 처리합니다.
Slick the sharp corner of the cut cartridge.



- 4) 외측카트리지를 틈이 발생되지 않도록 바디에 밀착시키면서 카트리지 클램핑 볼트로 단단히 고정합니다.
Put the cartridge closely to the drill body in order not to make any gap, and fix the cartridge with bolt tightly.

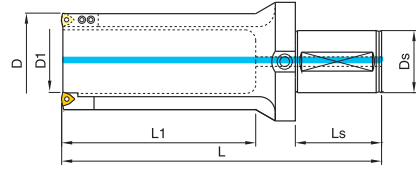
Example VMD-135140를 $\phi 136$ 로 셋팅한다면, 기본직경은 $\phi 140$ 이므로 $\phi 140 - \phi 136 = 4 \rightarrow 4 \div 2 = 2$ (반지름으로 계산) 2mm 커팅합니다.

If setting VMD-135140 to $\phi 136$ set
The standard drill diameter is $\phi 140$ so $\phi 140 - \phi 136 = 4 \rightarrow 4 \div 2 = 2$ (calculation by semidiameter)
2mm is cut off.

TREPANNING DRILL

TPD 2.5×D

DRILLING



● TPD Cylindrical Shank Type

Code No.	치수 Dimension(mm)						카트리지 Cartridge	인서트 Insert	부품 Component	
	D	D1	L1	L	Ds	Ls			Screw	Wrench
TPD-04025D	40	10	100	210	32	70	TDC-W0503N/T	WCMX050308	TSB-30070	TXL-8
TPD-04525D	45	15	100	210	40	80				
TPD-05025D	50	21	120	230						
TPD-05525D	55	26	120	230						
TPD-06025D	60	24.5	150	270						
TPD-06525D	65	30.5	150	270	50	100				
TPD-07025D	70	35.5	170	290						
TPD-07525D	75	40.5	170	290						
TPD-08025D	80	45.5	190	310	TDC-W06T3N/T	WCMX06T308	TSB-35090	TXL-15		
TPD-08525D	85	50.5	190	330						
TPD-09025D	90	55	210	350	50	100				
TPD-09525D	95	60	210	350						
TPD-10025D	100	66	250	390						
TPD-11025D	110	76	250	390						

※ SPECIAL 주문생산물

※ 트레판드릴은 적은 동력의 기계에서도 보다 효율적으로 드릴링 할 수 있습니다. 기본적으로 직경×2.5(가공길이)를 표준으로 권장하며, 길이가 짧을수록 떨림이 적습니다. 보다 자세한 사항은 폐사로 문의 바랍니다.

※ SPECIAL ORDER PRODUCTS

※ Trepanning Drill is capable of efficient drilling even when using low power equipment. As a general rule, the processing length should be 2.5 times greater than the diameter, and the rate of vibration is lower as the length is shorter. Please contact our company for more detailed information.

